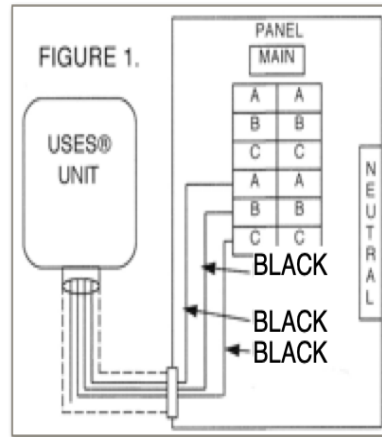


MODEL: XLU-3D 400

PARTS REQUIRED:

Parts to be supplied by the installer. Similar parts may be substituted. Additional parts may be required depending upon installation configuration.

1. Circuit breaker: 70 amp 3 pole (SWD rated)
2. PVC pipe (size/ quantity as required)
3. PVC T/A (size/ quantity as required)
4. PVC LB (size/ quantity as required)
5. Wire: use #4 THHN single conductor
6. When not installing the 70 amp breaker into existing panels, use a disconnect rated for 100 amps or larger and still fuse for 70 amps



CAUTION: DEENERGIZE ALL ELECTRICAL POWER TO THE PANEL AND EQUIPMENT BEFORE COMMENCING INSTALLATION.

CAUTION: The point at which the USES® unit is connected to the electrical system must be on the line side of any controller for any motor or load.

CAUTION: Confirm all phase-to-phase and all phase-to-neutral voltages match those listed in Table 1 for the model being installed before commencing installation.

CAUTION: USES® unit must be installed by a licensed electrician. Installer is responsible to ensure all aspects of installation comply with the NEC and local electrical codes. All foreign country installations must comply with their electrical codes.

CAUTION: USES® unit must be installed on the line side of a variable speed drives, magnetic motor controllers and frequency control drives. If put on the load side equipment damage may occur

INSTALLATION:

1. Install the circuit breaker in the electrical panel. *
2. Mount the USES® unit. The total wiring length from unit to the circuit breaker must be 10' or less.
3. Run conductors and the neutral wire (if present) into the panel.
4. Connect neutral wire (if present) to neutral bar in the panel
5. Connect conductor wires to the circuit breaker.
6. When not installing a 70 amp breaker into existing panels, use disconnect rated for 100 amps or larger and still fuse for 70 amps.

Table 1

USES® MODEL	Ph.-Ph Voltage	Ph.-N Voltage	USES® Current
XLU-3D 400	380-440	N/A	55

OPERATIONAL CHECKS:

1. When ready to energize the USES® unit, shut the circuit breaker
2. Observe the lights on the side of the USES® unit. All should be lit and equally bright. If not, deenergize the USES® unit, verify the wiring is correct and that proper phase-to-phase and phase-to-neutral voltages exist. Contact your USES® dealer if the voltage is correct but the lights were not lit or equally bright.
3. Confirm that the current on the conductors from the USES® unit to the circuit breaker as listed in Table 1 (± 20%) for the model being installed.
4. Periodically verify the indicator lights are lit and equally bright. Contact your USES® dealer if they are not.

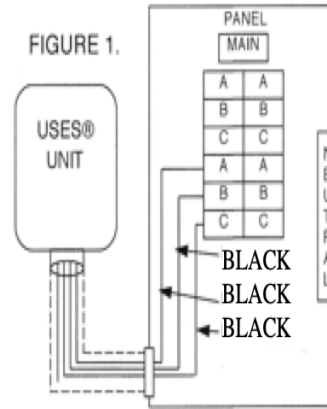
* If the breaker space is not available in an electrical panel or if the USES® unit is being installed local to a load a circuit breaker disconnect may be used provided it meets NEC requirements. The point at which the USES® unit is connected to the electrical system must be on the line side of any controller for any motor or load.

MODEL: XLU-3D 480

PARTS REQUIRED:

Parts to be supplied by the installer. Similar parts may be substituted. Additional parts may be required depending upon installation configuration.

1. Circuit breaker: 70 amp 3 pole (SWD rated)
2. PVC pipe (size/ quantity as required)
3. PVC T/A (size/ quantity as required)
4. PVC LB (size/ quantity as required)
5. Wire: use #4 THHN single conductor
6. When not installing the 70 amp breaker into existing panels, use a disconnect rated for 100 amps or larger and still fuse for 70 amps



CAUTION: DEENERGIZE ALL ELECTRICAL POWER TO THE PANEL AND EQUIPMENT BEFORE COMMENCING INSTALLATION.

CAUTION: The point at which the USES® unit is connected to the electrical system must be on the line side of any controller for any motor or load.

CAUTION: Confirm all phase-to-phase and all phase-to-neutral voltages match those listed in Table 1 for the model being installed before commencing installation.

CAUTION: USES® unit must be installed by a licensed electrician. Installer is responsible to ensure all aspects of installation comply with the NEC and local electrical codes. All foreign country installations must comply with their electrical codes.

CAUTION: USES® unit must be installed on the line side of a variable speed drives, magnetic motor controllers and frequency control drives. If put on the load side equipment damage may occur

INSTALLATION:

1. Install the circuit breaker in the electrical panel. *
2. Mount the USES® unit. The total wiring length from unit to the circuit breaker must be 10' or less.
3. Run conductors and the neutral wire (if present) into the panel.
4. Connect neutral wire (if present) to neutral bar in the panel
5. Connect conductor wires to the circuit breaker.
6. When not installing a 70 amp breaker into existing panels, use disconnect rated for 100 amps or larger and still fuse for 70 amps.

Table 1

USES® MODEL	Ph.-Ph Voltage	Ph.-N Voltage	USES® Current
XLU-3D 480	480	N/A	39

OPERATIONAL CHECKS:

1. When ready to energize the USES® unit, shut the circuit breaker
2. Observe the lights on the side of the USES® unit. All should be lit and equally bright. If not, deenergize the USES® unit, verify the wiring is correct and that proper phase-to-phase and phase-to-neutral voltages exist. Contact your USES® dealer if the voltage is correct but the lights were not lit or equally bright.
3. Confirm that the current on the conductors from the USES® unit to the circuit breaker as listed in Table 1 ($\pm 20\%$) for the model being installed.
4. Periodically verify the indicator lights are lit and equally bright. Contact your USES® dealer if they are not.

* If the breaker space is not available in an electrical panel or if the USES® unit is being installed local to a load a circuit breaker disconnect may be used provided it meets NEC requirements. The point at which the USES® unit is connected to the electrical system must be on the line side of any controller for any motor or load.